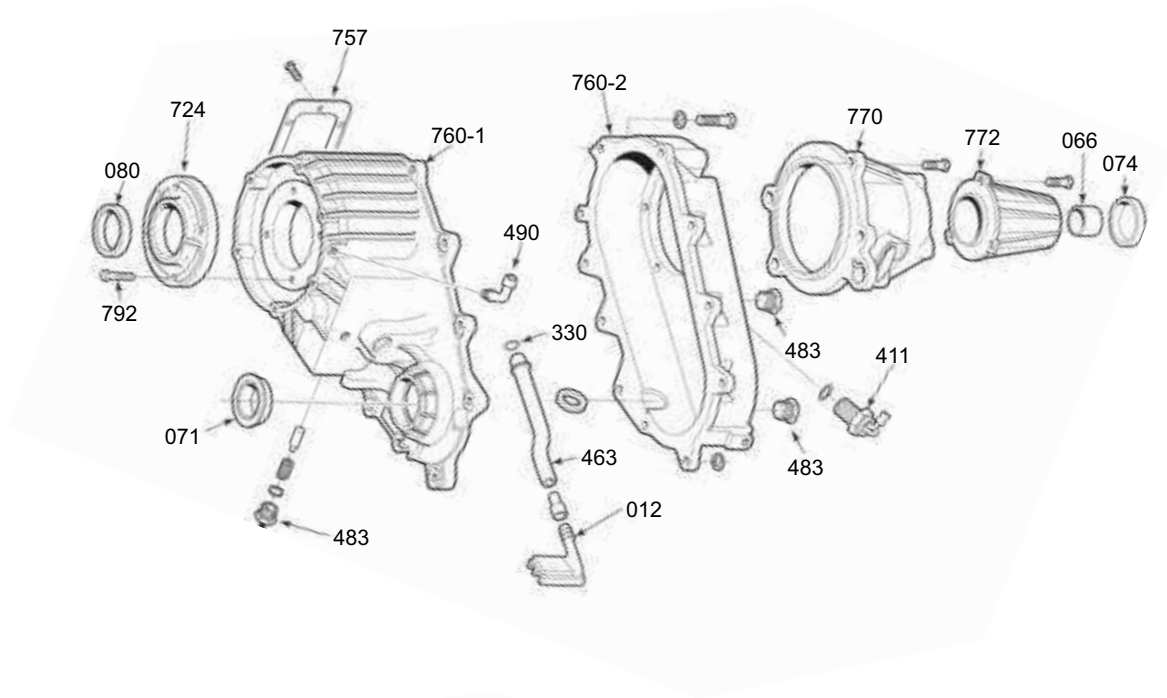
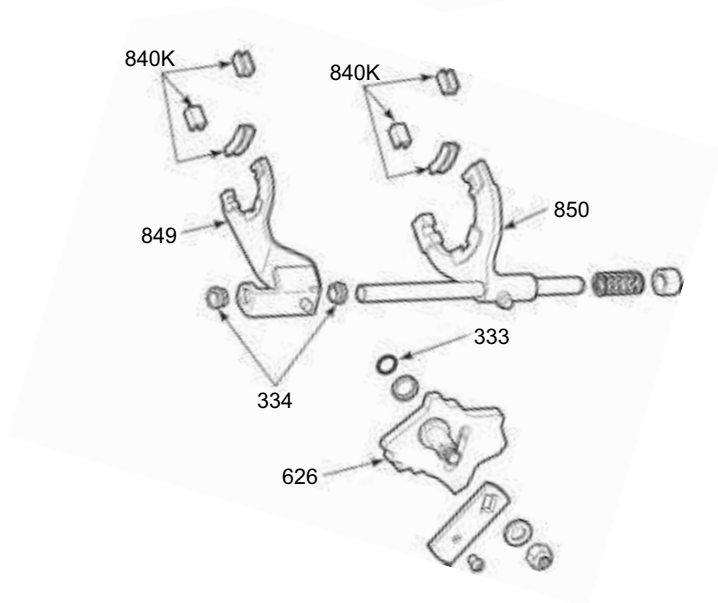


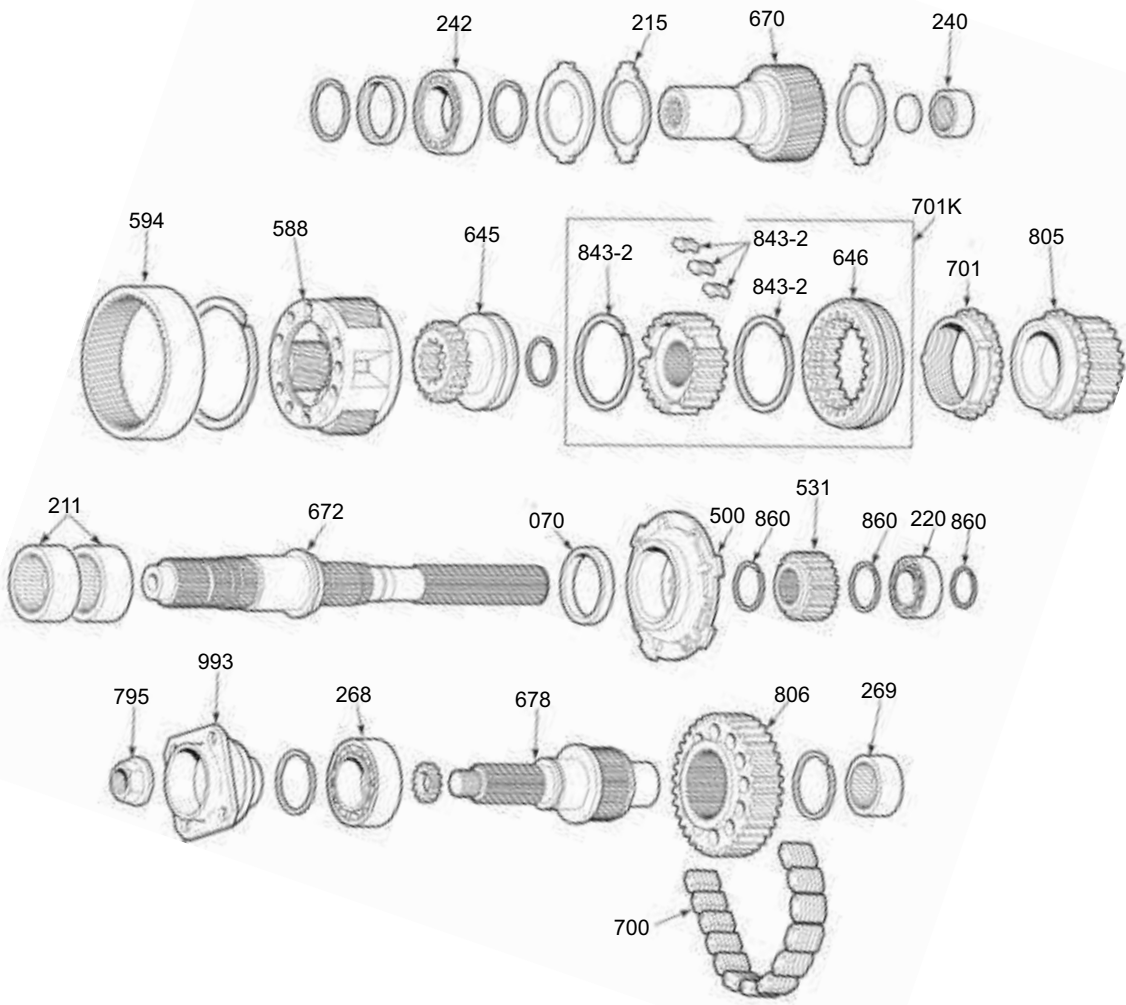
A



B



351



C

D

E

F

NP 231

ILL NO.	DESCRIPTION	PART NO.	REFERENCE
BEARING KITS			
N.I.	NP 231 (GM) (88-94)	BK231	N.L.
N.I.	NP 231 (GM) (95-97)	BK231A	N.L.
N.I.	NP 231 (Dodge) (Uses 24mm Wide Input Bearing).....	BK231	N.L.
N.I.	NP 231 (Dodge) (Uses 16mm Wide Input Bearing).....	BK231A	N.L.
N.I.	NP 231 (Jeep except Liberty) (87-94) (Uses 24mm Wide Input Bearing).....	BK231	N.L.
N.I.	NP 231 (Jeep except Liberty) (94-06) (Uses 16mm Wide Input Bearing).....	BK231J	N.L.
N.I.	NP 231 (Jeep Liberty) (02-07)	BK231JA	N.L.
SMALL PARTS KITS			
N.I.	NP 231	351001	SP231-50
GASKET & SEAL KITS			
N.I.	NP 231 (except Jeep)	TSK231	TSK-231
N.I.	NP 231 (Jeep except Liberty)	TSK231J	TSK-231J
N.I.	NP 231 (Jeep Liberty).....	TSK231JA	TSK-231JA
FILTERS			
012A	Pump Screen (Filter).....	351012	16217
SEALS			
070E	Pump Seal	321070	22306
080A	Input Seal.....	301080	4435
071A	Front Output Seal (2.455" x 1.110")	351080A	11778
071A	Front Output Seal (2.455" x 1.485").....	321081	15440
074A	Rear Output Seal (2.380" x 1.510").....	321071	2506
074A	Rear Output Seal (2.385" x 1.430").....	44074	15041
074A	Rear Output Seal (2.455" x 1.485").....	321081	15440
074A	Rear Output Seal (2.585" x 1.090").....	361071	19129
074A	Rear Output Seal (2.695" x 1.825").....	411074	22507
074A	Rear Output Seal (2.710" x 1.830").....	34074	18992
GASKETS & O-RINGS			
N.I.	Transmission to Adapter O-Ring (700-R4, 4L60E, TH350, TH350C)	44348	24064
N.I.	Adapter to Transfer Case Gasket (GM)	351304	TC2030-6
330A	Oil Pickup Tube O-Ring	411330	AS109
BUSHINGS			
334B	Range Fork Bushings (Plastic)	351334	15547404
066A	Extension Housing (1.630" OD) (27 Spline) (GM)	44066	WT266-62
066A	Extension Housing (1.700" OD) (26 & 27 Spline) Dodge.....	12066	WT243-62B
066A	Extension Housing (2.010" OD) (32 Spline) (GM)	331066	WT297-62
WASHERS			
215C	Planet Thrust Washer (Plastic)	411215	5012367AA
BEARINGS & RACES			
268F	Front Output Shaft Bearing (Front)	351268	6206-N
269F	Front Output Shaft Bearing (Rear).....	331268B	SCE2416
242C	Input Bearing (.630" Wide) (94-Up).....	351240A	6010-N
242C	Input Bearing (.940" Wide) (87-94)	351240	BD50-8
240C	Input Needle Assembly	411240	DB59856
211E	Drive Sprocket Bearing (.940" Wide)	303211A	HK5020
220E	Output Bearing (Rear) (2.439"OD, .629" Thick) (87-94)	351268	6206-N
220E	Output Bearing (Rear) (2.833"OD, .668" Thick) (94-Up).....	351268A	6207-N
FORKS			
850B	Mode Fork (Iron) (Cast # 16196)	352850A	16267
850B	Mode Fork, Iron (30T) (Cast "17769") (Late Dodge).....	351850	17790
849B	Range Fork (Aluminum) (Cast # 17833).....	352849A	17833
840KB	Fork Insert Kit.....	321840K	INSK-207

ILL NO.	DESCRIPTION	PART NO.	REFERENCE
HUBS & SLIDERS			
646D	Mode Slider (48T)	351646	241-15
646D	Mode Slider (60T)	352646B	17773
645D	Range Slider & Hub	351645K	19114
SYNCHRONIZERS			
701KD	Mode Assembly (Complete) (48T)	351701K	17915
701D	Mode Synchro (48T)	351701	241-14
701D	Mode Synchro (60T)	351701A	17779
843-2D	Key and Spring Kit (48T Only)	331843-2K	NP 208-K
PUMPS			
500E	Pump Assembly	351500	16209
PLANETS			
588D	Planet (6 Pinion) (used w/ .630" Wide Input Bearing) (94-Up).....	351588A	17869
588D	Planet (6 Pinion) (used w/ .940" Wide Input Bearing) (88-94)	351588	16550
SHAFTS			
670C	Input Shaft (Jeep) (21 Spline) (4.30") (used w/ .940" Wide Input Brg).....	351670	16758
670C	Input Shaft (Jeep) (23 Spline) (5.30") (used w/ .940" Wide Input Brg).....	371670B	17822
670C	Input Shaft (Dodge) (23 Spline) (4.30") (used w/ .940" Wide Input Brg).....	361670A	17449
670C	Input Shaft (Dodge) (23 Spline) (5.30") (used w/ .630" Wide Input Brg).....	352670CC	17949
672E	Main Shaft (Dodge) (26 Spline) (18 3/8").....	351672	16353
N.I.	Jeep Short Shaft Conversion Kit: Includes Main Shaft, Yoke, Speedo,	351672AK	50-7906
Small Parts & Extension Housing / Bearing Support (Bolt Yoke)		
CASES & HOUSINGS			
760-1A	Case Half (Front) (Cast # 16118).....	351760-1	20357
760-2A	Case Half (Rear) (Cast "16117").....	351760-2	16721
772A	Extension Housing, 5 3/4" (Cast # 16356) (Dakota)	351772	16354
772A	Extension Housing, Slip Yoke (32 Spline, 4 Bolt) (Cast # 16258).....	351772A	17477
CHAINS & SPROCKETS			
700F	Chain (1.00" Wide) 36 Links	HV-027	HV027
700F	Chain (1.25" Wide) 31 Links	HV-022	HV022
805D	Drive Sprocket (1.25" Wide Chain)	351805	19043
806F	Driven Sprocket (1.25" Wide Chain)	351806	16619
MISCELLANEOUS COMPONENTS			
860E	Output Bearing Retainer Snap Ring (27 Spline Shaft).....	351860B	4446478
860E	Output Bearing Retainer Snap Ring (32 Spline Shaft).....	351860A	1300-139-027
N.I.	Output Bearing Retainer Split Sleeve (27 Spline Shaft) (Sonnax).....	S100420-01K	100420-01K
N.I.	Output Bearing Retainer Split Sleeve (32 Spline Shaft) (Sonnax).....	S100420-02K	100420-02K
411A	Switch, 4wd Indicator (3 Prong)	321411	15664811
411A	Switch, 4wd Indicator (4 Prong)	351411B	15832
411A	Switch, 4wd Indicator (Electric).....	361410	56006755

NP 231